

Simpson Davits

OVAL 15ZERO DAVIT

150kg Safe Working Load per pair • Mirror finish 316 Stainless Steel • Sleek oval design
Lifts clear of bathing platform • Retracts the tender for stowage • Removeable and rotatable
Available in transom or deck mount option • Designed and manufactured in Britain

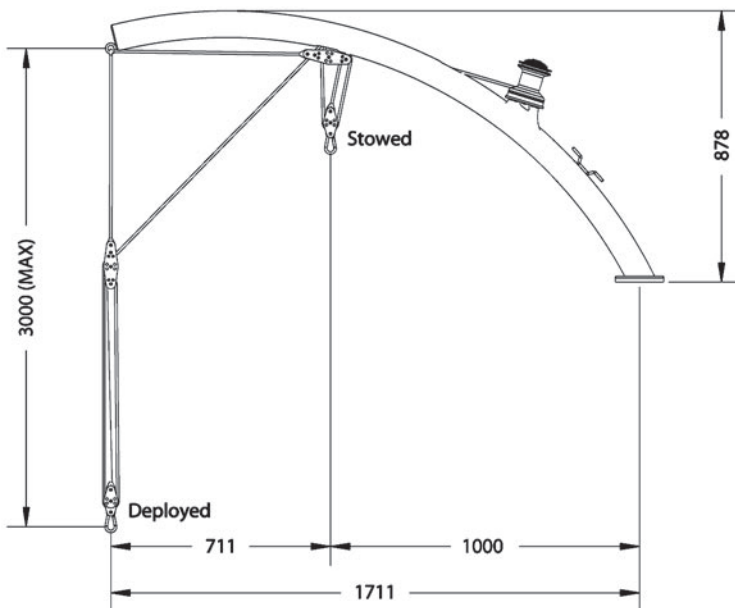
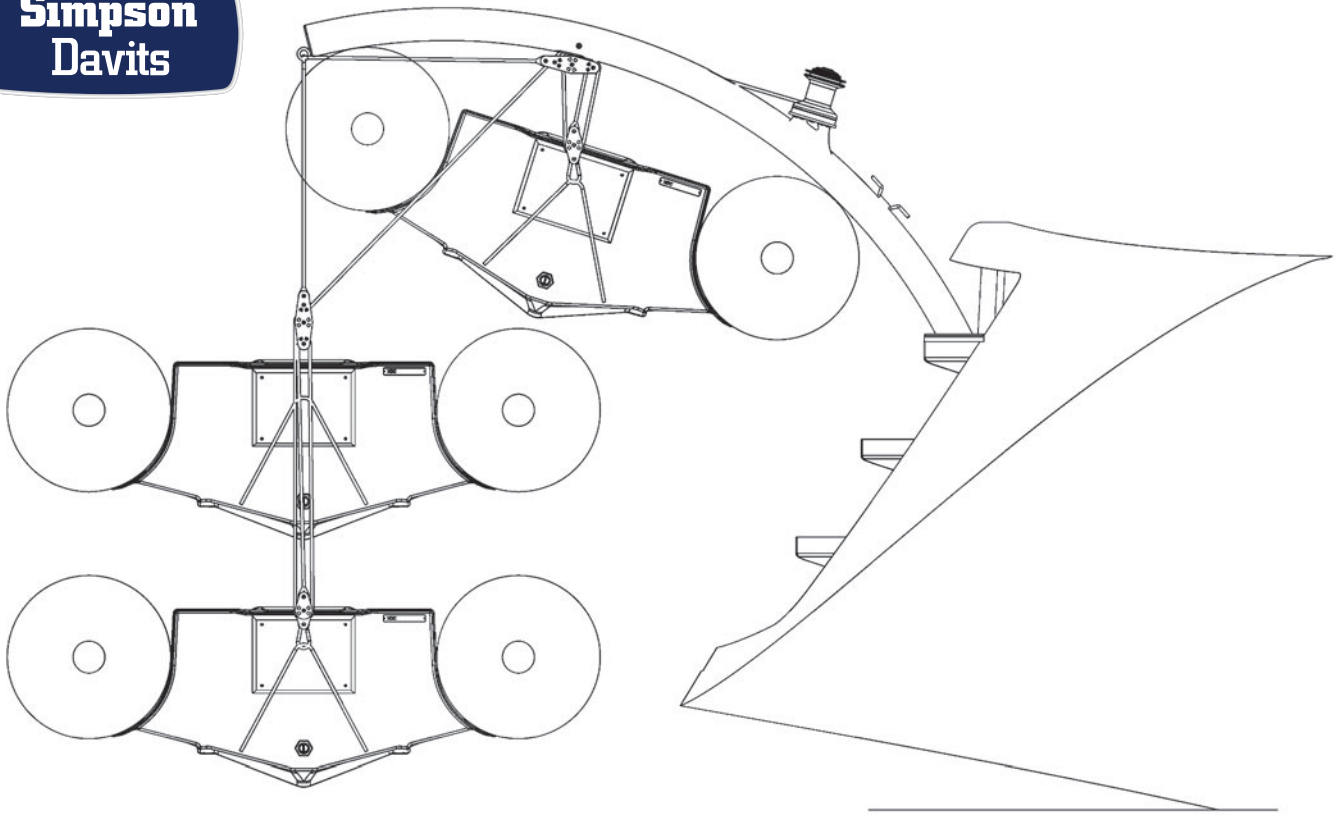


CooneyTM

ADVANCED STAINLESS
• ENGINEERING •

OVAL 15ZERO DAVIT

Simpson Davits



This innovative davit is a stylish addition to the Simpson Davits range.

Using high quality 316 marine grade stainless, we have developed a contemporary davit solution.

The rope handling system lifts the tender clear of the bathing platform, once raised it will retract and stow the tender securely under the davit.

Together with a horizontally mounted winch the OVAL 15ZERO offers simple, ergonomic operation.

The OVAL 15ZERO Davit comes with the standard Simpson Davits 3 year warranty.



Cooney Marine International Limited Telford Way Kettering Northants NN16 8UN United Kingdom
Tel: +44 (0) 1536 484481 Fax: +44 (0) 1536 411580 e.mail: sales@cooneymarine.co.uk
www.cooneymarine.co.uk www.simpsondavits.co.uk

Pictures courtesy of Oyster Marine