

ATLAS TWIN DAVITS

Function

To lift and hold a heavy tender in the falls of the davit and remain elegantly styled to blend with the line of the yachts.

Benefits

- Lightweight
- Low maintenance
- Elegantly styled
- Various finishes & colours available
- Safe working load 500kg
- 12 or 24 volt internal drive motors
- Manufactured to BS9001
- DAME award nominated

Atlas Carbon Twin Davits Technical Specification

Models available -

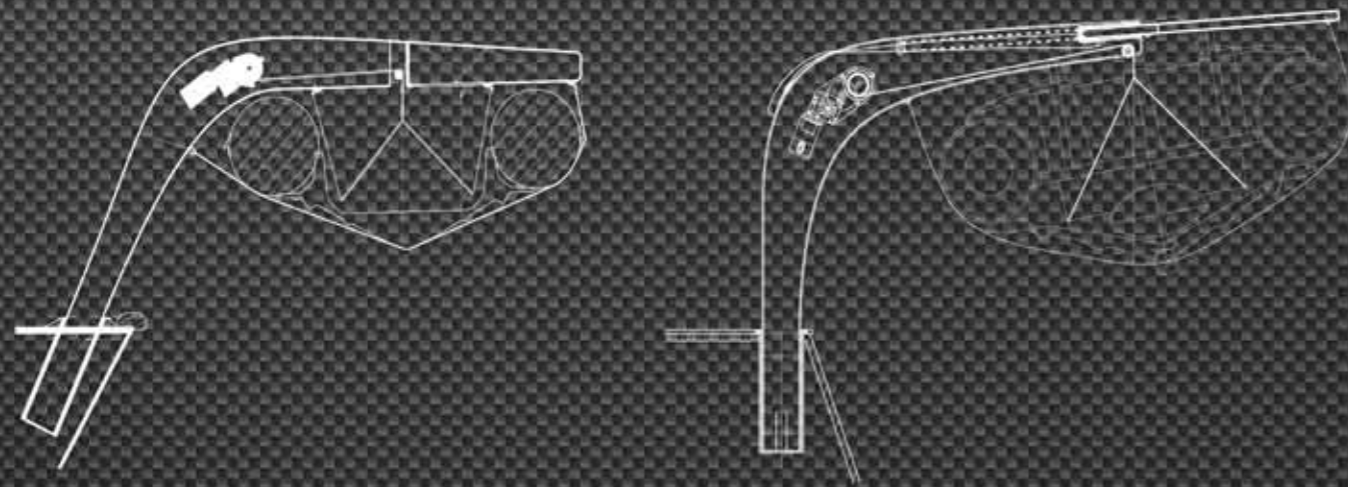
<u>Model</u>	<u>Weight Electric</u>
Atlas Twin Slider	25kg
Atlas Twin Raked	30kg

Socket depth in deck - 512mm / 20in

Socket internal dimension GRP - 149mm / 6in Shaped oval

Construction - Advanced Pre-preg carbon fibre

Custom construction can be arranged.



Superyacht Doc
Ebb Tide house, 6 Lester Avenue,
Bedhampton, Havant,
Hampshire, UK, PO9 3HE
Tel: +44 (0)23 9247 6566
Fax: +44 (0)23 9248 1884
Email: info@superyachtdoc.com
www.superyachtdoc.com



Manufacturer: Jeremy Rogers Ltd
Lymington Yacht Haven
Kings Saltern Road
Lymington
Hampshire, UK, SO41 3QD
Tel: +44 (0)1590 645454
Fax: +44 (0)1590 642537
Email: mail@jeremyrogers.co.uk
www.jeremyrogers.co.uk/davits

atlas

Simple, quick, elegant marine solutions.



Atlas carbon davits have been designed to make light work of a variety of tasks up to 500kg/1100lb maintaining an exceptionally low overall weight.



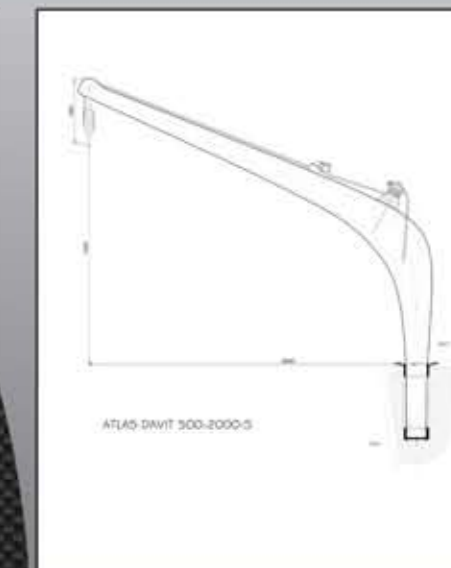
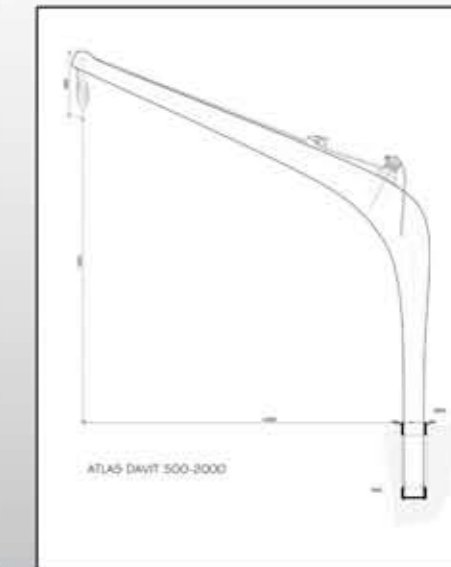
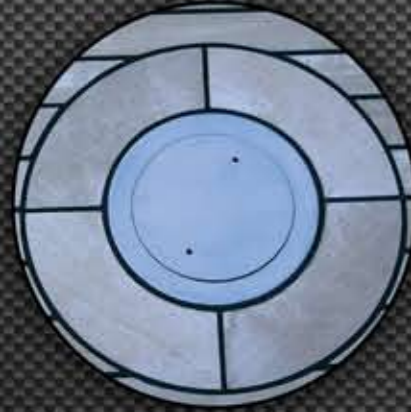
atlas CARBON DAVITS

Atlas carbon davits are available as standard with 1200mm, 1600mm and 2000mm reach and various heights. Choose manual or electric winch in a spectrum of colours.

The elegantly styled lines of the Atlas will complement the aesthetics of any yacht, power or sail, whilst its weight won't compromise performance. Atlas carbon davits have also been installed in waterfront locations as well as used in a variety of military and commercial applications.

The Power of the Atlas

- Very portable : weights from 18kg
- Rotates through 360 degrees
- Quick and simple to install and use
- Only visible when in use, unlike it's fixed counterparts
- Multiple deck sockets allow a single atlas to be positioned in multiple locations
- Easily stowed
- Each unit tested and supplied with certification
- CE approved and built to BS9001
- Watertight caps supplied for deck sockets
- METS - DAME award winner
- Approved rescue davit for vessels under 500 Gross registered tonnes
- Suppliers to the Ministry of Defence



Models available safe working load 500kgs

	Weight manual	Weight electric
Atlas 1200	19kg	24kg
Atlas 1200S	18kg	23kg
Atlas 1600	23kg	28kg
Atlas 1600S	20kg	27kg
Atlas 2000	29kg	35kg
Atlas 2000S	28kg	34kg

Atlas Rescue davits for vessels below 500gross registered tonnes are available in all the above sizes.

Socket depth in deck	450mm / 18in
Socket internal diameter GRP and Aluminium	152mm / 6in
Socket internal diameter stainless steel	154mm / 6in
Manual winch	2 speed (with 5:1 purchase)
Electric winch	12 / 24 volt
Bearings	plain polyester
Construction	Advanced-Pre-preg carbon fibre
Custom construction can be arranged	

We reserve the right to alter the specifications without prior notification.